

KOMATSU

WB93S-8

PRELIMINARY



4 wheel steering backhoe loader

Engine power
75 kW / 101 HP @ 2300 rpm

Operating weight
8105 - 10000 kg

Bucket capacity
1.1 m³ (Standard bucket)

WB93S-8

Increased efficiency and
environmental performance



Engine power
75 kW / 101 HP @ 2300 rpm

Operating weight
8105 - 10000 kg

Bucket capacity
1.1 m³ (Standard bucket)



Powerful and environmentally friendly

- NEW** • EU Stage V engine
- NEW** • Increased engine displacement: 3,6 ltr
- Viscous fan clutch
- Monitoring system with Eco gauge
- Power and Eco mode improve fuel efficiency

First-class comfort

- Multi-function monitor with high resolution 7" LCD color display
- Air-suspended operator seat (Standard)
- Ergonomic switch layout for the operator console
- Dial type fuel control and electric accelerator pedal
- Styling, state-of-the-art Komatsu design
- Hammer piping (Standard)
- NEW** • Power assisted brake

Safety first

- Anti-burst valves for stabilizers, boom and arm (Standard)
- Emergency engine stop switch
- Seat belt caution indicator
- Unrivaled front visibility thanks to lateral exhaust pipe
- "Street mode" function

Total versatility

- 3 steering modes: 2WS, 4WS, crab
- Hydraulic side shift available
- Flip-over forks and pallet forks available
- Quick couplers for the front and rear buckets

Easy maintenance

- Easy refilling from ground level for hydraulic oil, AdBlue® and fuel
- Maintenance information displayed on the monitor
- NEW** • Rear tool box

Komtrax

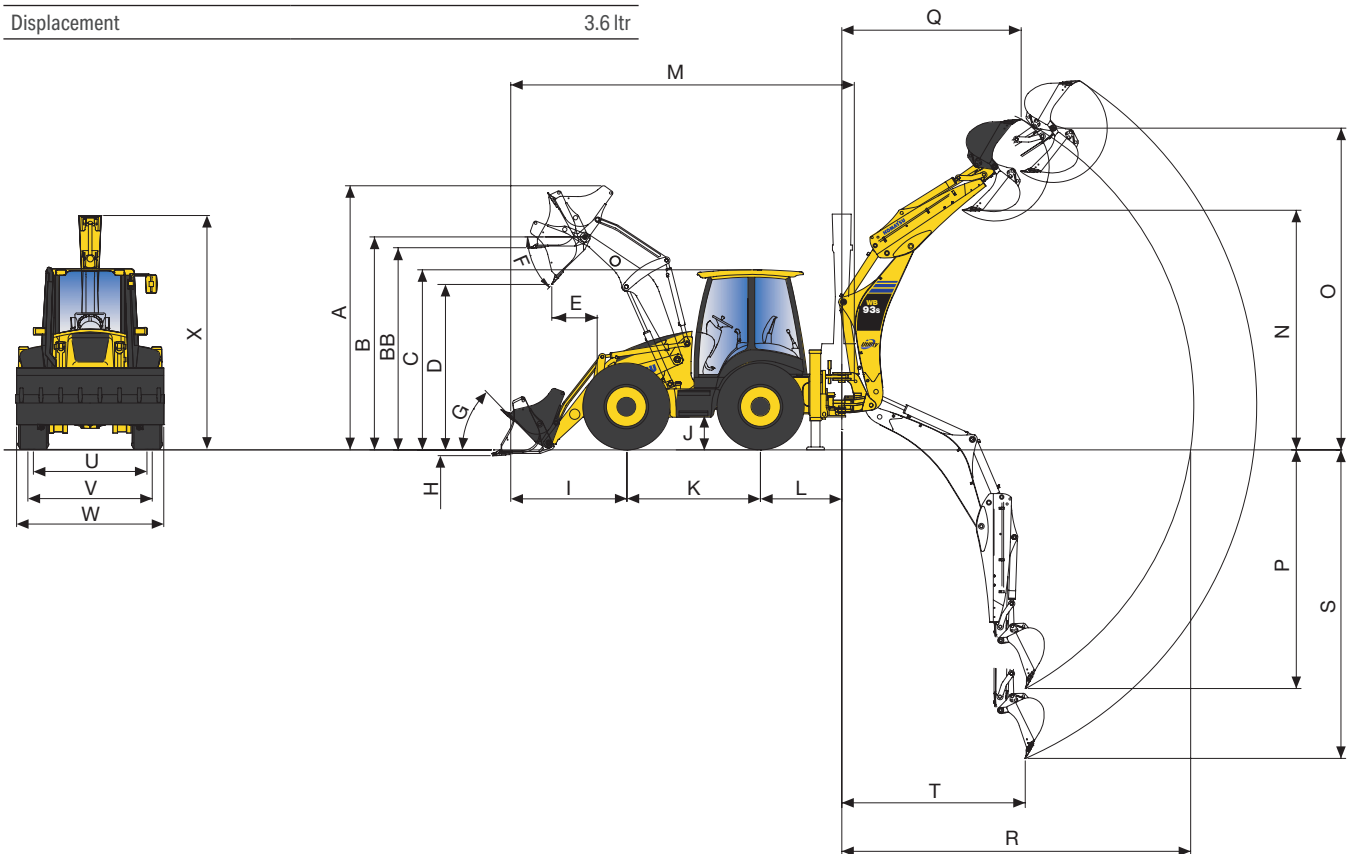
- Komatsu Wireless Monitoring System
- 4G mobile communications
- NEW** • Increased operational data and reports

Engine

Model	Komatsu SAA4D102SE-1
Type	Common rail direct injection, water-cooled, emissionised, turbocharged, after-cooled diesel
Engine power	
at rated engine speed	2300 rpm
ISO 14396	75 kW / 101 HP
ISO 9249 (net engine power)	68.6 kW / 92.0 HP
No. of cylinders	4
Bore × stroke	102 × 110 mm
Displacement	3.6 ltr

Environment

Engine emissions	Fully complies with EU Stage V exhaust emission regulations
Noise levels	Noise levels (external/internal) fully comply with 2000/14/EC Stage 2 and 98/37/EC
Vibration levels (EN 12096:1997)	
Hand/arm	≤ 2.5 m/s ² (uncertainty K = 1.2 m/s ²)
Body	≤ 0.5 m/s ² (uncertainty K = 0.2 m/s ²)



A	Max. height	4305 mm
B	Pin height	3475 mm
BB	Forks loading max height	3145 mm
C	Cab height	2950 mm
D	Max. dumping height	2825 mm
E	Max. dumping reach (45°)	645 mm
F	Dumping angle	42°
G	Rollback angle	45°
H	Digging depth	200 mm
I	Bucket reach (edge/teeth)	2105 mm
J	Ground clearance	410 mm
K	Wheel base	2215 mm
L	Backhoe swing centre distance	1325 mm
M	Transport length	5965 mm
N	Dumping height SAE	3920 mm
	Max. dumping height	4270 mm
	- with extended telescopic SAE	4610 mm
	- with extended telescopic max	4995 mm

O	Max. digging height	5895 mm
	- with extended telescopic	6520 mm
P	Digging depth SAE	4225 mm
	- with extended telescopic	5335 mm
Q	Reach at max height	2830 mm
	- with extended telescopic	3875 mm
R	Max. reach from swing centre	5750 mm
	- with extended telescopic	6760 mm
S	Max. digging depth	4825 mm
	- with telescopic	5780 mm
T	Digging reach	2330 mm
U	Rear tread	1950 mm
V	Front tread	1950 mm
W	Overall width (with bucket)	2440 mm
X	Transport hoe height	3835 mm
	- with telescopic	3980 mm

When used in object handling operations, the backhoe portion must be equipped with hose burst valves (boom, arm and overload warning device) in compliance with EN474-4 and must operate in accordance with the related local regulations.