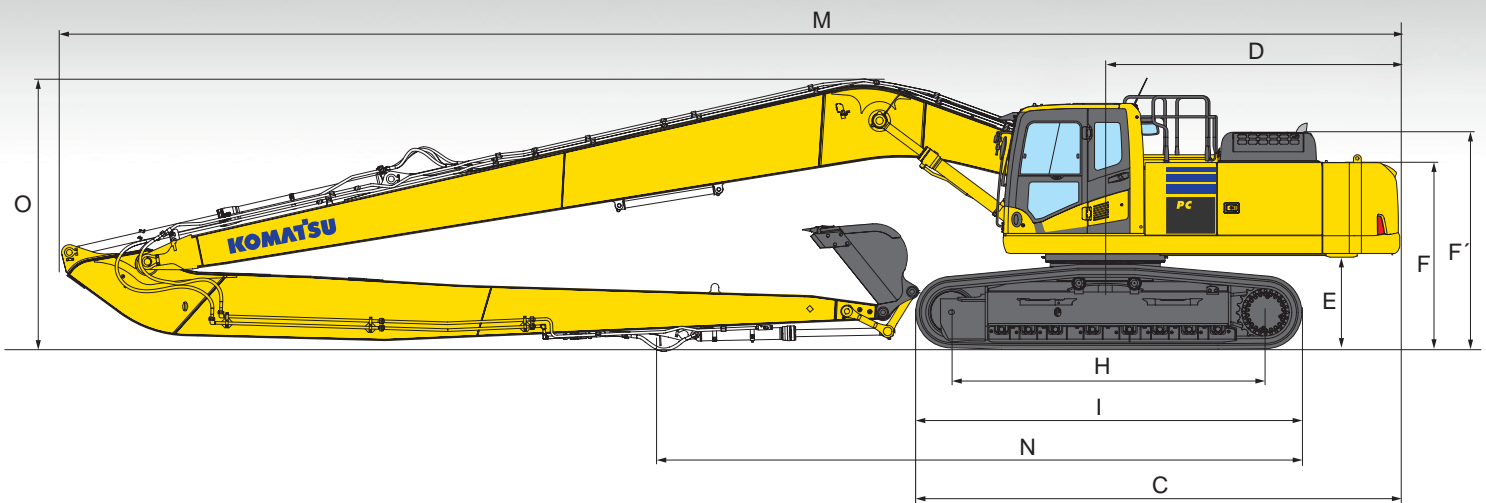


# KOMATSU



## Hydraulic Excavator

### **PC210LC-10**

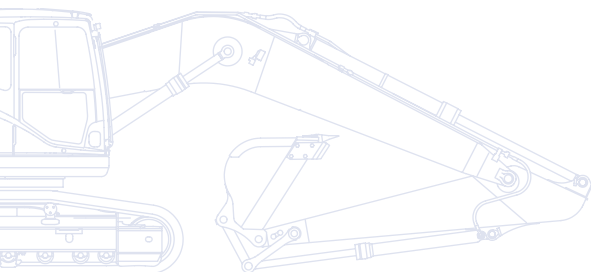
### **PC240LC/NLC-10**

**Super Long Front Specification**

### **PC360LC-10**

**Long Reach Specification**

**Super Long Front Specification**



ENGINE POWER  
123 kW / 165 HP to 202 kW / 271 HP

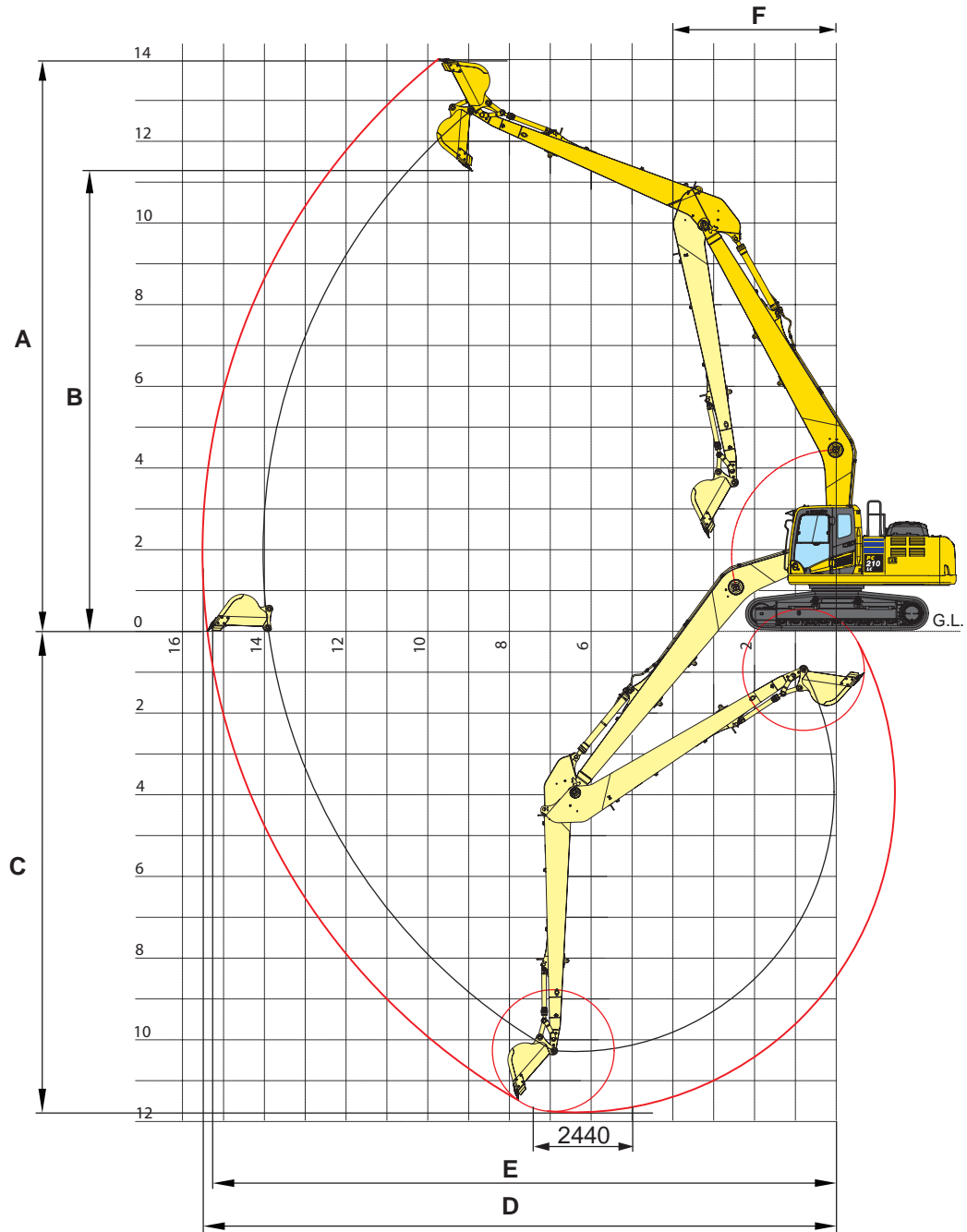
OPERATING WEIGHT

23.220 to 42.315 kg



# Working Range PC210LC-10

## SUPER LONG FRONT SPECIFICATION



### SUPER LONG FRONT

A	Max. digging height	13.980 mm
B	Max. dumping height	11.240 mm
C	Max. digging depth	11.790 mm
D	Max. digging reach	15.435 mm
E	Max. digging reach at ground level	15.340 mm
F	Min. swing radius	4.000 mm

# Specifications PC210LC-10

## ENGINE

Model .....	Komatsu SAA6D107E-2
Type .....	Common rail direct injection, water-cooled, emissionised, turbocharged, after-cooled diesel
Engine power	
at rated engine speed .....	2.000 rpm
ISO 14396 .....	123 kW / 165 HP
ISO 9249 (net engine power) .....	118 kW / 158 HP
No. of cylinders .....	6
Bore x stroke .....	107 x 124 mm
Displacement .....	6,69 ltr
Battery .....	2 x 12 V/155 Ah
Alternator .....	24 V/60 A
Starter motor .....	24 V/5,5 kW
Air filter type .....	Double element type with monitor panel dust indicator and auto dust evacuator
Cooling .....	Suction type cooling fan with radiator fly screen

## HYDRAULIC SYSTEM

Type .....	HydrauMind. Closed-centre system with load sensing and pressure compensation valves
Additional circuits .....	2 additional circuits with proportional control can be installed
Main pump .....	2 variable displacement piston pumps supplying boom, arm, bucket, swing and travel circuits
Maximum pump flow .....	2 x 237,5 ltr/min
Relief valve settings	
Implement .....	380 kg/cm <sup>2</sup>
Travel .....	380 kg/cm <sup>2</sup>
Swing .....	295 kg/cm <sup>2</sup>
Pilot circuit .....	33 kg/cm <sup>2</sup>

## UNDERCARRIAGE

Construction .....	X-frame centre section with box section track frames
Track assembly	
Type .....	Fully sealed
Shoes (each side) .....	49
Tension .....	Combined spring and hydraulic unit
Rollers	
Track rollers (each side) .....	9
Carrier rollers (each side) .....	2

## OPERATING WEIGHT (APPR.)

Triple grouser shoes	Operating weight	Ground pressure
600 mm	23.220 kg	0,49 kg/cm <sup>2</sup>
700 mm	23.490 kg	0,42 kg/cm <sup>2</sup>
800 mm	23.810 kg	0,38 kg/cm <sup>2</sup>
900 mm	24.080 kg	0,34 kg/cm <sup>2</sup>

Operating weight, including Super Long Front work equipment, bucket, operator, lubricant, coolant, full fuel tank and the standard equipment.

## SWING SYSTEM

Type .....	Axial piston motor driving through planetary double reduction gearbox
Swing lock .....	Electrically actuated wet multi-disc brake integrated into swing motor
Swing speed .....	0 - 12,4 rpm
Swing torque .....	64,6 kNm
Max. pressure .....	295 kg/cm <sup>2</sup>

## DRIVES AND BRAKES

Steering control .....	2 levers with pedals giving full independent control of each track
Drive method .....	Hydrostatic
Travel operation .....	Automatic 3-speed selection
Gradeability .....	70%, 35°
Max. travel speeds	
Lo / Mi / Hi .....	3,0 / 4,1 / 5,5 km/h
Maximum drawbar pull .....	20.600 kg
Brake system .....	Hydraulically operated discs in each travel motor

## SERVICE REFILL CAPACITIES

Fuel tank .....	400 ltr
Radiator .....	30,7 ltr
Engine oil .....	23,1 ltr
Swing drive .....	6,5 ltr
Hydraulic tank .....	132 ltr
Final drive (each side) .....	5,0 ltr

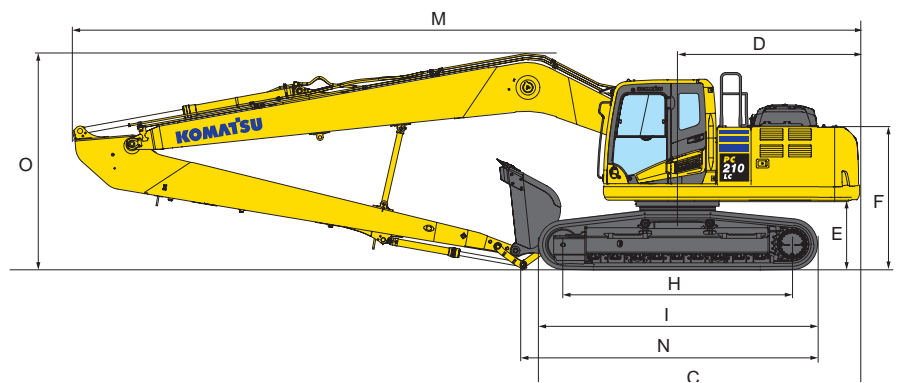
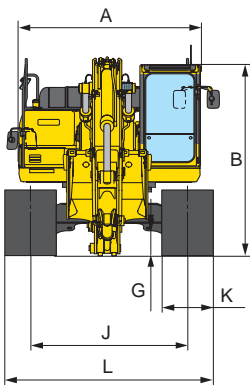
## ENVIRONMENT

Engine emissions .....	Fully complies with EU Stage IIIB and EPA Tier 4 interim exhaust emission regulations
Noise levels	
LwA external .....	102 dB(A) (2000/14/EC Stage II)
LpA operator ear .....	69 dB(A) (ISO 6396 dynamic test)
Vibration levels (EN 12096:1997)*	
Hand/arm .....	≤ 2,5 m/s <sup>2</sup> (uncertainty K = 0,49 m/s <sup>2</sup> )
Body .....	≤ 0,5 m/s <sup>2</sup> (uncertainty K = 0,24 m/s <sup>2</sup> )

\* for the purpose of risk assessment under directive 2002/44/EC, please refer to ISO/TR 25398:2006.

# Dimensions PC210LC-10

MACHINE DIMENSIONS	PC210LC-10
A Overall width of upper structure	2.705 mm
B Overall height of cab	3.045 mm
C Overall length of basic machine	5.135 mm
D Tail length	2.910 mm
Tail swing radius	2.940 mm
E Clearance under counterweight	1.085 mm
F Machine tail height	2.280 mm
G Ground clearance	440 mm
H Tumbler centre distance	3.655 mm
I Track length	4.450 mm
J Track gauge	2.380 mm
K Track shoe width	600, 700, 800, 900 mm
L Overall track width with 600 mm shoes	2.980 mm
Overall track width with 700 mm shoes	3.080 mm
Overall track width with 800 mm shoes	3.180 mm
Overall track width with 900 mm shoes	3.280 mm
























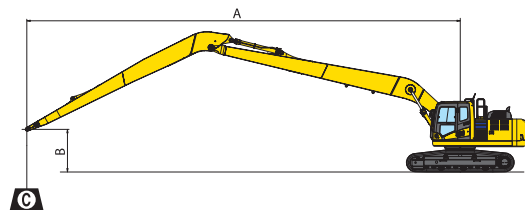
TRANSPORT DIMENSIONS	PC210LC-10
Arm length	8.795 mm
Boom length	7.375 mm
M Transport length	12.940 mm
N Length on ground (transport)	4.705 mm
O Overall height (to top of boom)	3.475 mm

# Lifting Capacity PC210LC-10



## SUPER LONG FRONT SPECIFICATION

With 600 mm shoes

	A		14,0 m		13,0 m		12,0 m		11,0 m		10,0 m		9,0 m		8,0 m		7,0 m		6,0 m		
B																					
13,0 m	kg	*800	*800																		
10,0 m	kg	*660	*660							*1.540	*1.540	*1.630	*1.630								
9,0 m	kg	*650	*650																		
3,0 m	kg	*720	*720	*1.510	1.050	*2.010	1.300	*2.110	1.580	*2.240	1.930	*2.410	2.340	*2.630	*2.630	*2.900	*2.900	*3.250	*3.250	*3.800	*3.800
0,0 m	kg	*870	850	1.640	910	1.900	1.110	2.210	1.330	2.590	1.590	*2.950	1.900	*3.320	2.270	*3.800	2.750	*4.450	3.400	*5.450	4.200
-3,0 m	kg	*1.160	890			1.770	980	2.030	1.150	2.340	1.360	2.720	1.610	3.200	1.910	3.800	2.300	4.650	2.800	5.900	3.500
-6,0 m	kg	*1.770	1.130							2.300	1.320	2.650	1.540	3.110	1.820	3.700	2.150	4.550	2.700	5.800	3.400
-9,0 m	kg	*2.940	1.890											*3.110	2.050	*3.750	2.400	*4.400	2.950	*5.200	3.800



- A – Reach from swing center
- B – Bucket hook height
- C – Lifting capacities

-  – Rating over front
-  – Rating over side
-  – Rating at maximum reach

\* Load is limited by hydraulic capacity rather than tipping. Ratings are based on SAE Standard No. J1097.

Rated loads do not exceed 87% of hydraulic lift capacity or 75% of tipping load.

Lifting capacity stated is based on lifting with bare arm. When lifting with additional equipment installed to the arm, please subtract the weight of all additional equipment from the values stated.

### BUCKET CAPACITY TABLE

PC210LC-10

#### General purpose bucket

Max. bucket width	955 mm	
Max bucket volume		
Material density up to 1,2 t/m <sup>3</sup>	0,66 m <sup>3</sup>	525 kg
Material density up to 1,5 t/m <sup>3</sup>	0,56 m <sup>3</sup>	475 kg
Material density up to 1,8 t/m <sup>3</sup>	0,49 m <sup>3</sup>	425 kg

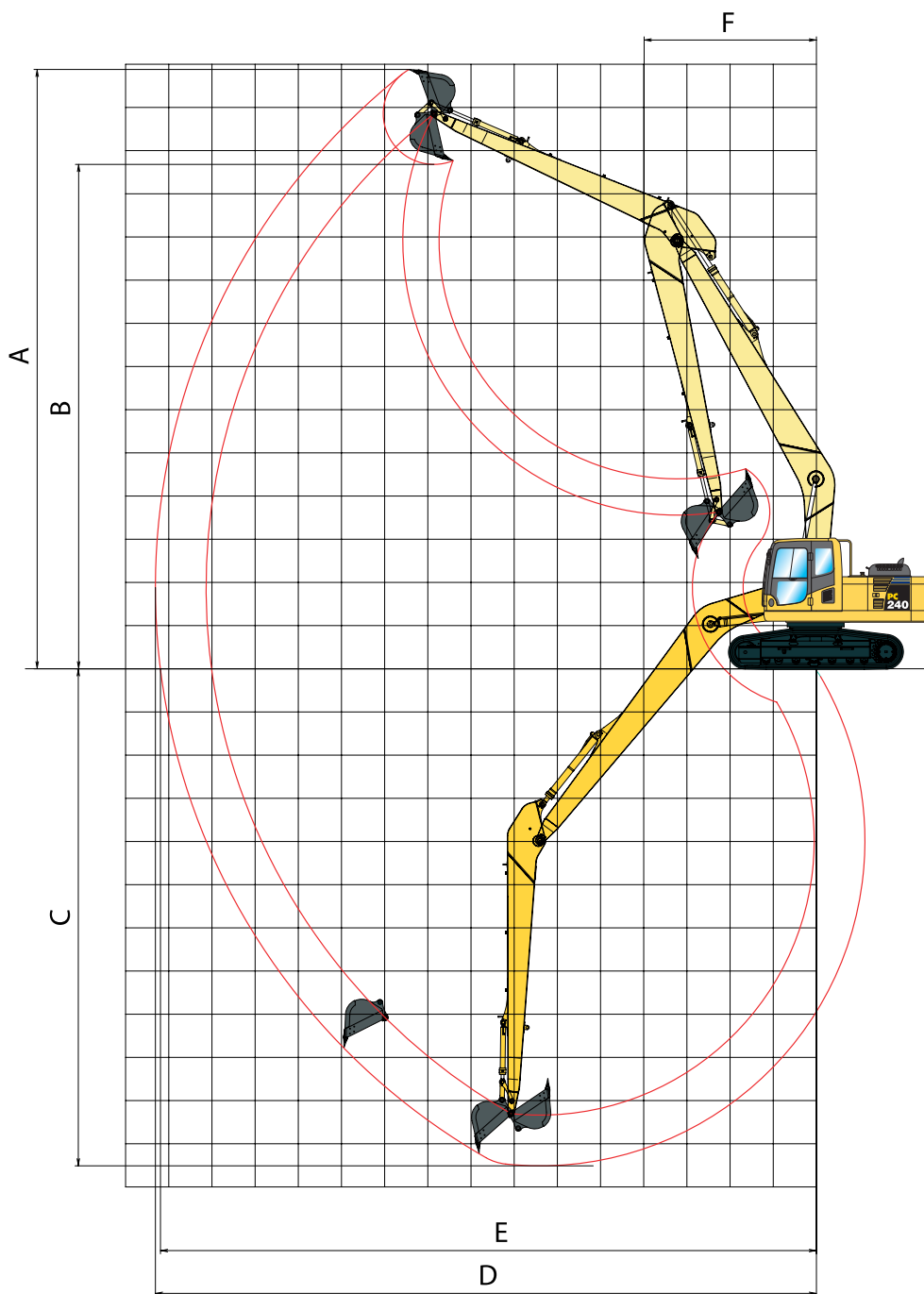
#### Ditch cleaning bucket

Max. bucket width	2.100 mm	
Maximum load at end of arm*	1.300 kg	

\* Maximum load at end of arm (bucket + payload). Max. capacity and weight have been calculated according to ISO 10567:2007. Please consult with your distributor for the correct selection of buckets and attachments to suit the application.

# Working Range PC240LC/NLC-10

## SUPER LONG FRONT SPECIFICATION



### SUPER LONG FRONT

A	Max. digging height	14.970 mm
B	Max. dumping height	12.860 mm
C	Max. digging depth	14.635 mm
D	Max. digging reach	18.290 mm
E	Max. digging reach at ground level	18.190 mm
F	Min. swing radius	5.195 mm

# Specifications PC240LC/NLC-10

## ENGINE

Model .....	Komatsu SAA6D107E-2
Type .....	Common rail direct injection, water-cooled, emissionised, turbocharged, after-cooled diesel
Engine power	
at rated engine speed .....	2.000 rpm
ISO 14396 .....	141 kW/189 HP
ISO 9249 (net engine power) .....	132 kW/177 HP
No. of cylinders .....	6
Bore x stroke .....	107 x 124 mm
Displacement .....	6,69 ltr
Battery .....	2 x 12 V/155 Ah
Alternator .....	24 V/60 A
Starter motor .....	24 V/5,5 kW
Air filter type .....	Double element type with monitor panel dust indicator and auto dust evacuator
Cooling .....	Suction type cooling fan with radiator fly screen

## HYDRAULIC SYSTEM

Type .....	HydrauMind. Closed-centre system with load sensing and pressure compensation valves
Additional circuits .....	2 additional circuits with proportional control can be installed
Main pump .....	2 variable displacement piston pumps supplying boom, arm, bucket, swing and travel circuits
Maximum pump flow .....	2 x 237,5 ltr/min
Relief valve settings	
Implement .....	380 kg/cm <sup>2</sup>
Travel .....	380 kg/cm <sup>2</sup>
Swing .....	295 kg/cm <sup>2</sup>
Pilot circuit .....	33 kg/cm <sup>2</sup>

## UNDERCARRIAGE

Construction .....	X-frame centre section with box section track frames
Track assembly	
Type .....	Fully sealed
Shoes (each side) .....	51 (PC240LC), 49 (PC240NLC)
Tension .....	Combined spring and hydraulic unit
Rollers	
Track rollers (each side) .....	10 (PC240LC), 9 (PC240NLC)
Carrier rollers (each side) .....	2

## SWING SYSTEM

Type .....	Axial piston motor driving through planetary double reduction gearbox
Swing lock .....	Electrically actuated wet multi-disc brake integrated into swing motor
Swing speed .....	0 - 11,7 rpm
Swing torque .....	77 kNm
Max. pressure .....	295 kg/cm <sup>2</sup>

## DRIVES AND BRAKES

Steering control .....	2 levers with pedals giving full independent control of each track
Drive method .....	Hydrostatic
Travel operation .....	Automatic 3-speed selection
Gradeability .....	70%, 35°
Max. travel speeds	
Lo / Mi / Hi .....	3,0 / 4,1 / 5,5 km/h
Maximum drawbar pull .....	20.570 kg
Brake system .....	Hydraulically operated discs in each travel motor

## SERVICE REFILL CAPACITIES

Fuel tank .....	400 ltr
Radiator .....	36,0 ltr
Engine oil .....	23,1 ltr
Swing drive .....	7,2 ltr
Hydraulic tank .....	132 ltr
Final drive (each side) .....	5,0 ltr

## ENVIRONMENT

Engine emissions .....	Fully complies with EU Stage IIIB and EPA Tier 4 interim exhaust emission regulations
Noise levels	
LwA external .....	103 dB(A) (2000/14/EC Stage II)
LpA operator ear .....	70 dB(A) (ISO 6396 dynamic test)
Vibration levels (EN 12096:1997)*	
Hand/arm .....	≤ 2,5 m/s <sup>2</sup> (uncertainty K = 0,53 m/s <sup>2</sup> )
Body .....	≤ 0,5 m/s <sup>2</sup> (uncertainty K = 0,28 m/s <sup>2</sup> )

\* for the purpose of risk assessment under directive 2002/44/EC, please refer to ISO/TR 25398:2006.

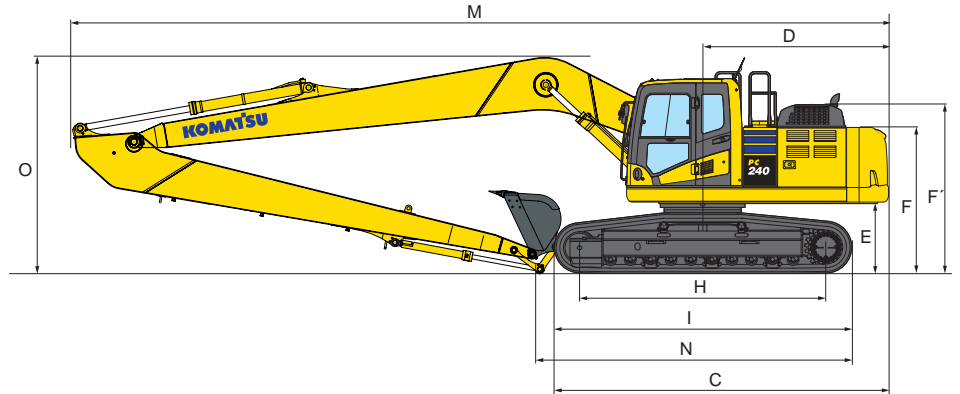
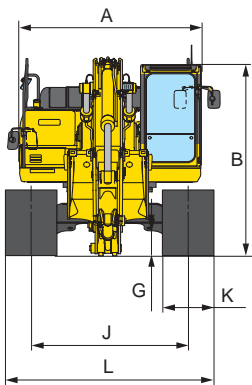
## OPERATING WEIGHT (APPR.)

	PC240LC-10		PC240NLC-10	
	Operating weight	Ground pressure	Operating weight	Ground pressure
Triple grouser shoes				
600 mm	27.850 kg	0,56 kg/cm <sup>2</sup>	27.250 kg	0,57 kg/cm <sup>2</sup>
700 mm	28.150 kg	0,48 kg/cm <sup>2</sup>	27.550 kg	0,50 kg/cm <sup>2</sup>
800 mm	28.450 kg	0,43 kg/cm <sup>2</sup>	27.850 kg	0,44 kg/cm <sup>2</sup>
900 mm	28.750 kg	0,38 kg/cm <sup>2</sup>	-	-

Operating weight, including Super Long Front work equipment, bucket, operator, lubricant, coolant, full fuel tank and the standard equipment.

# Dimensions PC240LC/NLC-10

MACHINE DIMENSIONS	PC240LC-10	PC240NLC-10
A Overall width of upper structure	2.850 mm	2.850 mm
B Overall height of cab	3.055 mm	3.055 mm
C Overall length of basic machine	5.255 mm	5.130 mm
D Tail length	2.905 mm	2.905 mm
Tail swing radius	2.940 mm	2.940 mm
E Clearance under counterweight	1.100 mm	1.100 mm
F Machine tail height	2.265 mm	2.265 mm
F' Machine tail height (top of engine cover)	2.600 mm	2.600 mm
G Ground clearance	440 mm	440 mm
H Tumbler centre distance	3.845 mm	3.655 mm
I Track length	4.640 mm	4.450 mm
J Track gauge	2.590 mm	2.390 mm
K Track shoe width	600, 700, 800, 900 mm	600, 700, 800 mm
L Overall track width with 600 mm shoes	3.190 mm	2.990 mm
Overall track width with 700 mm shoes	3.290 mm	3.090 mm
Overall track width with 800 mm shoes	3.390 mm	3.190 mm
Overall track width with 900 mm shoes	3.490 mm	-



TRANSPORT DIMENSIONS	PC240LC/NLC-10
Arm length	10.530 mm
Boom length	9.325 mm
M Transport length	14.400 mm
N Length on ground (transport)	4.520 mm
O Overall height (to top of boom)	3.230 mm



# Lifting Capacity PC240LC/NLC-10

## PC240LC-10 SUPER LONG FRONT SPECIFICATION

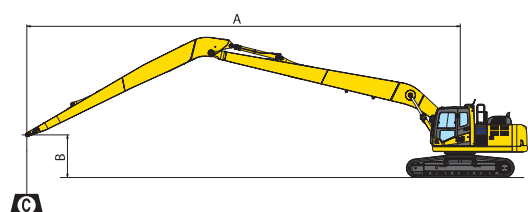
With 700 mm shoes

A	⊗		17,0 m		13,0 m		11,0 m		9,0 m		7,0 m	
	⊗	⊗	⊗	⊗	⊗	⊗	⊗	⊗	⊗	⊗	⊗	⊗
14,0 m	kg	*1.200	*1.200									
10,0 m	kg	*1.100	*1.100		*1.700	*1.700						
6,0 m	kg	*1.100	*1.100		*2.000	*2.000	*2.050	*2.050				
3,0 m	kg	*1.200	1.000	*1.650	1.100	*2.400	2.050	*2.700	*2.700	*3.150	*3.150	*3.900
0,0 m	kg	*1.350	950	1.800	1.000	*2.850	1.750	*3.350	2.350	*4.200	3.250	*5.700
-3,0 m	kg	*1.650	950			2.650	1.550	3.400	2.050	4.550	2.750	6.550
-6,0 m	kg	1.950	1.050			2.550	1.450	3.250	1.900	4.350	2.550	6.300
-9,0 m	kg	2.400	1.350			2.600	1.500	3.300	1.900	4.400	2.600	6.450
-13,0 m	kg	*3.750	2.950									*5.150

## PC240NLC-10 SUPER LONG FRONT SPECIFICATION

With 700 mm shoes

A	⊗		17,0 m		13,0 m		11,0 m		9,0 m		7,0 m	
	⊗	⊗	⊗	⊗	⊗	⊗	⊗	⊗	⊗	⊗	⊗	⊗
14,0 m	kg	*1.200	*1.200									
10,0 m	kg	*1.100	*1.100		*1.700	*1.700						
6,0 m	kg	*1.100	1.000		*2.000	*2.000	*2.050	*2.050				
3,0 m	kg	*1.200	800	1.650	900	*2.400	1.750	*2.700	2.450	*3.150	*3.150	*3.900
0,0 m	kg	*1.350	750	1.550	800	2.550	1.500	3.350	2.000	*4.200	2.800	*5.700
-3,0 m	kg	1.500	750			2.300	1.250	3.000	1.700	4.000	2.300	5.750
-6,0 m	kg	1.650	850			2.200	1.150	2.850	1.550	3.800	2.100	5.550
-9,0 m	kg	2.100	1.100			2.250	1.200	2.850	1.550	3.850	2.150	5.650
-13,0 m	kg	*3.750	2.500									*5.150



A – Reach from swing center

B – Bucket hook height

C – Lifting capacities

⊗ – Rating over front

⊗ – Rating over side

⊗ – Rating at maximum reach

\* Load is limited by hydraulic capacity rather than tipping. Ratings are based on SAE Standard No. J1097.

Rated loads do not exceed 87% of hydraulic lift capacity or 75% of tipping load.

Lifting capacity stated is based on lifting with bare arm. When lifting with additional equipment installed to the arm, please subtract the weight of all additional equipment from the values stated.

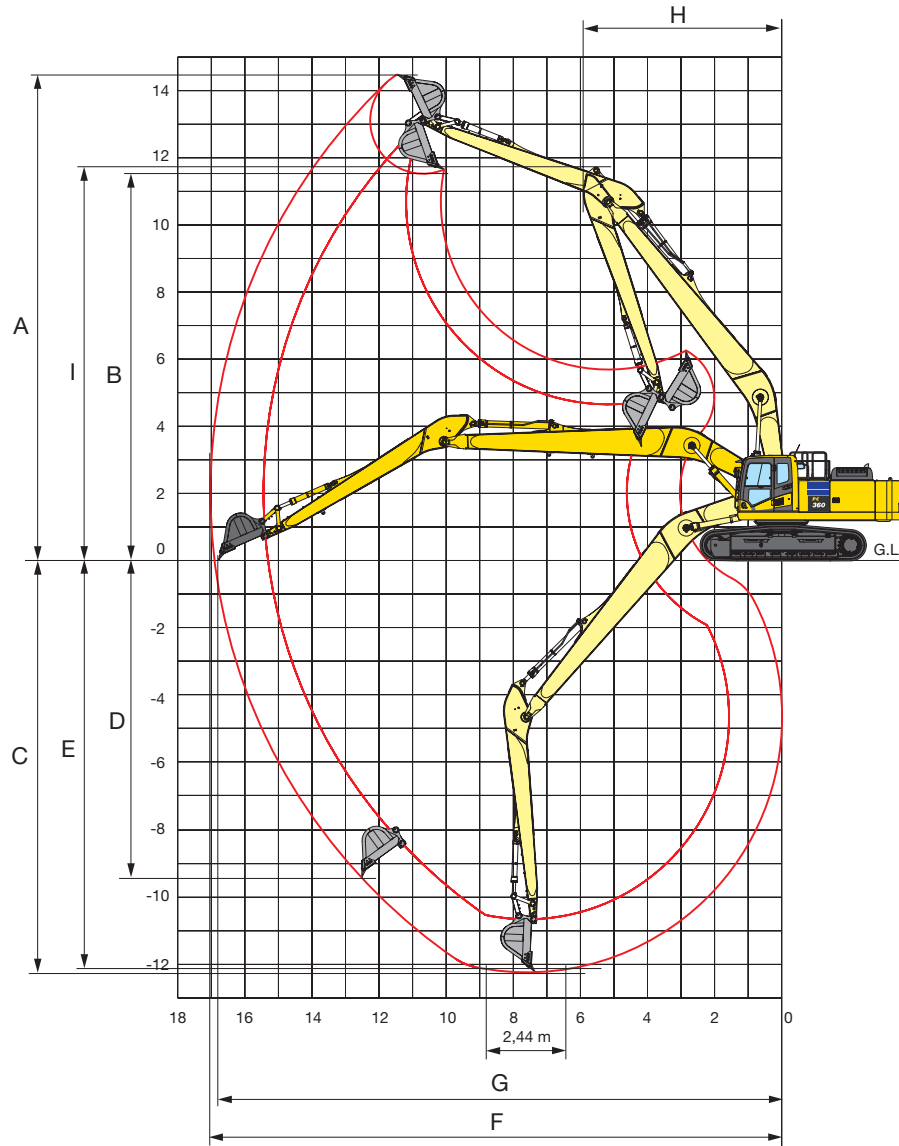
BUCKET CAPACITY TABLE	PC240LC-10	PC240NLC-10
General purpose bucket	955 mm	955 mm
Max. bucket width		
Max bucket volume		
Material density up to 1,2 t/m <sup>3</sup>	0,51 m <sup>3</sup> 450 kg	0,38 m <sup>3</sup> 390 kg
Material density up to 1,5 t/m <sup>3</sup>	0,44 m <sup>3</sup> 415 kg	0,31 m <sup>3</sup> 355 kg
Material density up to 1,8 t/m <sup>3</sup>	0,38 m <sup>3</sup> 390 kg	0,27 m <sup>3</sup> 340 kg
Ditch cleaning bucket		
Max. bucket width	2.100 mm	2.100 mm
Maximum load at end of arm*	1.300 kg	1.000 kg

\* Maximum load at end of arm (bucket + payload). Max. capacity and weight have been calculated according to ISO 10567:2007. Please consult with your distributor for the correct selection of buckets and attachments to suit the application.



# Working Range PC360LC-10

## 17 M LONG REACH SPECIFICATION

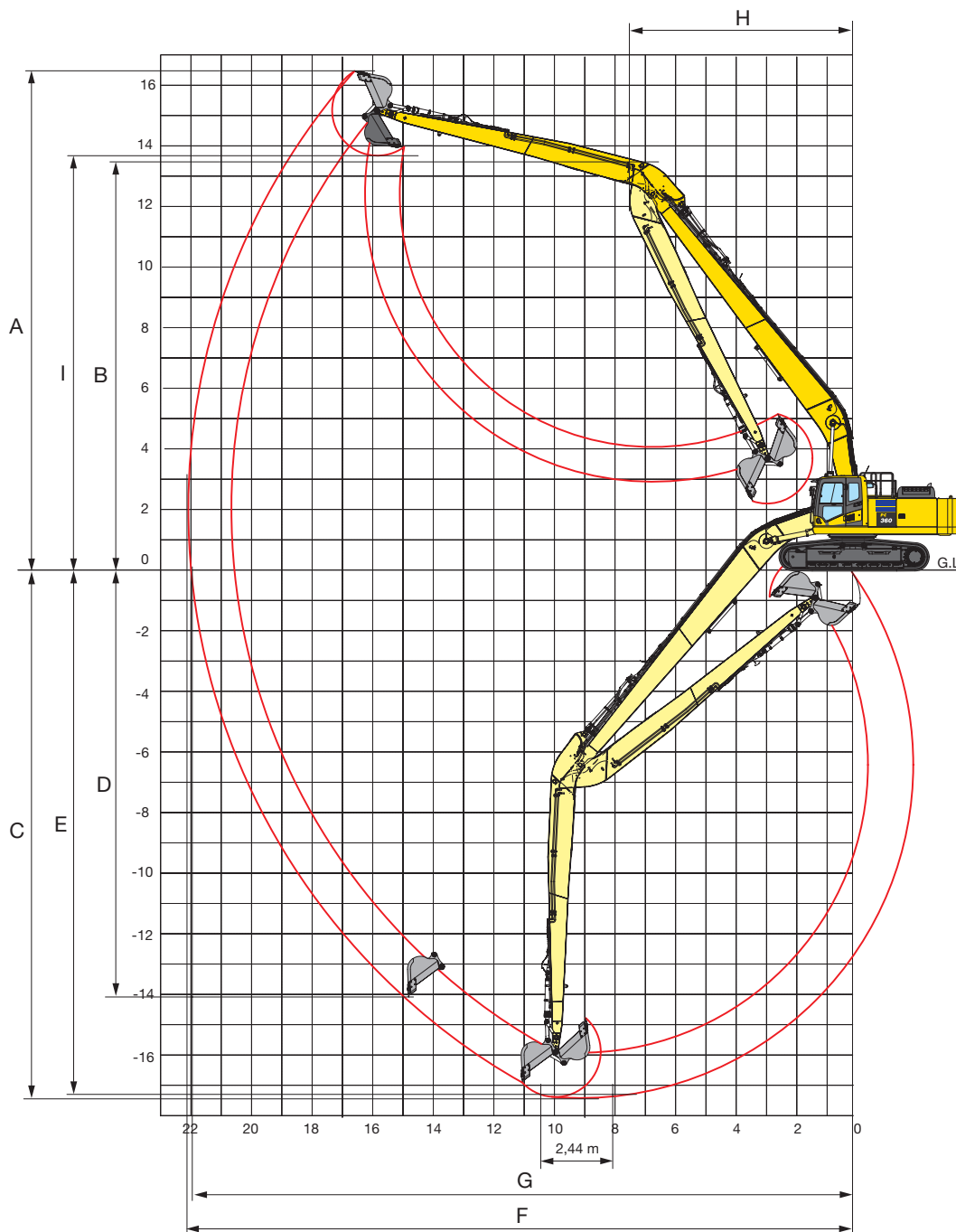


### 17 M LONG REACH SPECIFICATION

A	Max. digging height	14.595 mm
B	Max. dumping height	11.480 mm
C	Max. digging depth	12.300 mm
D	Max. vertical wall digging depth	9.445 mm
E	Max. digging depth of cut for 2,44 m level	12.200 mm
F	Max. digging reach	17.000 mm
G	Max. digging reach at ground level	16.880 mm
H	Min. swing radius	5.970 mm
I	Max. height at min. swing radius	11.700 mm

# Working Range PC360LC-10

## 22 M SUPER LONG FRONT SPECIFICATION



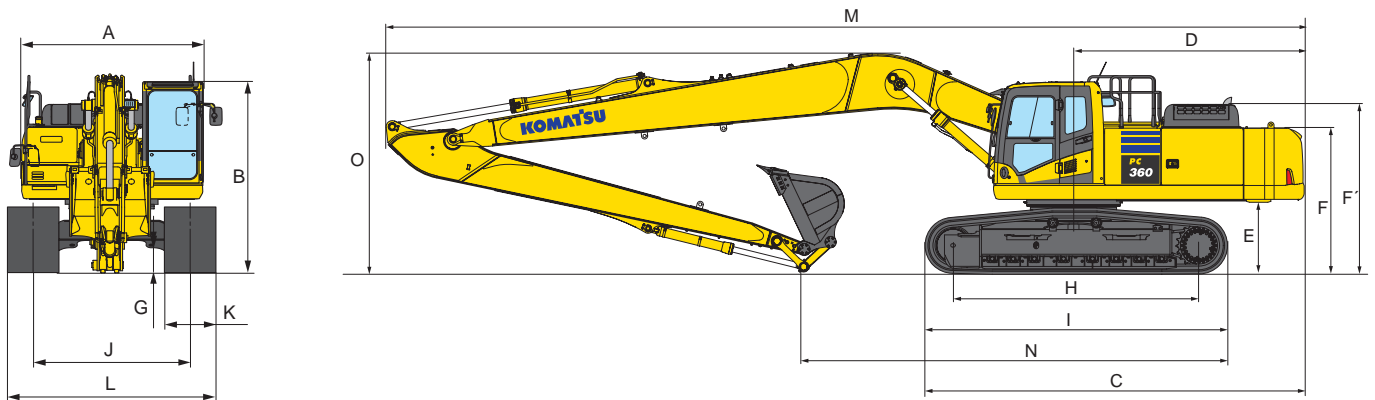
### 22 M SUPER LONG FRONT SPECIFICATION

A	Max. digging height	16.260 mm
B	Max. dumping height	13.480 mm
C	Max. digging depth	17.485 mm
D	Max. vertical wall digging depth	14.275 mm
E	Max. digging depth of cut for 2,44 m level	17.410 mm
F	Max. digging reach	22.010 mm
G	Max. digging reach at ground level	21.915 mm
H	Min. swing radius	7.350 mm
I	Max. height at min. swing radius	13.445 mm

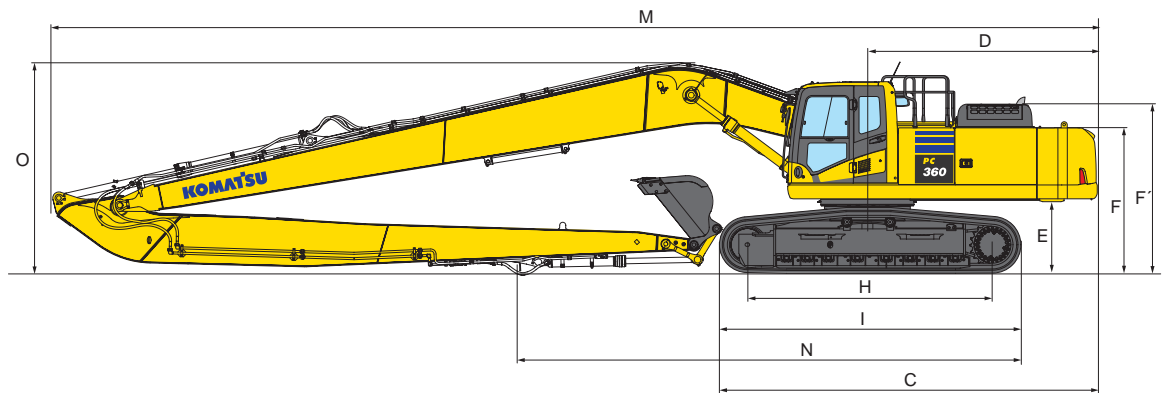
# Dimensions PC360LC-10

MACHINE DIMENSIONS	PC360LC-10
A Overall width of upper structure	2.995 mm
B Overall height of cab	3.160 mm
C Overall length of basic machine	6.200 mm
D Tail length	3.770 mm
Tail swing radius	3.820 mm
E Clearance under counterweight	1.185 mm
F Machine tail height	2.360 mm
F' Machine tail height (top of engine cover)	2.750 mm
G Ground clearance	500 mm
H Tumbler centre distance	4.030 mm
I Track length	4.955 mm
J Track gauge	2.590 mm
K Track shoe width	700, 800, 850 mm
L Overall track width with 700 mm shoes	3.290 mm
Overall track width with 800 mm shoes	3.390 mm
Overall track width with 850 mm shoes	3.440 mm

## 17 M LONG REACH SPECIFICATION



## 22 M SUPER LONG FRONT SPECIFICATION



TRANSPORT DIMENSIONS	17 M LONG REACH SPECIFICATION	22 M SUPER LONG FRONT SPECIFICATION
Arm length	7.230 mm	10.700 mm
Boom length	10.000 mm	12.400 mm
M Transport length	15.050 mm	17.210 mm
N Length on ground (transport)	6.920 mm	11.800 mm
O Overall height (to top of boom)	3.710 mm	3.470 mm

# Specifications PC360LC-10

## ENGINE

Model .....	Komatsu SAA6D114E-5
Type .....	Common rail direct injection, water-cooled, emissionised, turbocharged, after-cooled diesel
Engine power	
at rated engine speed .....	1.950 rpm
ISO 14396 .....	202 kW/271 HP
ISO 9249 (net engine power) .....	192 kW/257 HP
No. of cylinders .....	6
Bore x stroke .....	114 x 144,5 mm
Displacement .....	8,85 l
Battery .....	2 x 12 V/155 Ah
Alternator .....	24 V/60 A
Starter motor .....	24 V/11 kW
Air filter type .....	Double element type with monitor panel dust indicator and auto dust evacuator
Cooling .....	Suction type cooling fan with radiator fly screen

## HYDRAULIC SYSTEM

Type .....	HydrauMind. Closed-centre system with load sensing and pressure compensation valves
Additional circuits .....	2 additional circuits with proportional control can be installed
Main pump .....	2 variable displacement piston pumps supplying boom, arm, bucket, swing and travel circuits
Maximum pump flow .....	2 x 267,5 l/min
Relief valve settings	
Implement .....	380 kg/cm <sup>2</sup>
Travel .....	380 kg/cm <sup>2</sup>
Swing .....	295 kg/cm <sup>2</sup>
Pilot circuit .....	33 kg/cm <sup>2</sup>

## UNDERCARRIAGE

Construction .....	X-frame centre section with box section track frames
Track assembly	
Type .....	Fully sealed
Shoes (each side) .....	48
Tension .....	Combined spring and hydraulic unit
Rollers	
Track rollers (each side) .....	8
Carrier rollers (each side) .....	2

## OPERATING WEIGHT (APPR.)

	LONG REACH SPECIFICATION		SUPER LONG FRONT SPECIFICATION	
	Operating weight	Ground pressure	Operating weight	Ground pressure
Triple grouser shoes				
700 mm	42.130 kg	0,68 kg/cm <sup>2</sup>	41.300 kg	0,68 kg/cm <sup>2</sup>
800 mm	42.510 kg	0,60 kg/cm <sup>2</sup>	41.680 kg	0,60 kg/cm <sup>2</sup>
850 mm	42.700 kg	0,57 kg/cm <sup>2</sup>	41.870 kg	0,57 kg/cm <sup>2</sup>

17 m Long Reach Specification: Operating weight, including specified work equipment, 7,23 m arm, 871 kg bucket, operator, lubricant, coolant, full fuel tank and the standard equipment.

22 m Super Long Front Specification: Operating weight, including specified work equipment, 10,7 m arm, 475 kg bucket, operator, lubricant, coolant, full fuel tank and the standard equipment.

## SWING SYSTEM

Type .....	Axial piston motor driving through planetary double reduction gearbox
Swing lock .....	Electrically actuated wet multi-disc brake integrated into swing motor
Swing speed .....	0 - 9,5 rpm
Swing torque .....	102,9 kNm

## DRIVES AND BRAKES

Steering control .....	2 levers with pedals giving full independent control of each track
Drive method .....	Hydrostatic
Travel operation .....	Automatic 3-speed selection
Gradeability .....	70%, 35°
Max. travel speeds	
Lo / Mi / Hi .....	3,2 / 4,5 / 5,5 km/h
Maximum drawbar pull .....	29.570 kg
Brake system .....	Hydraulically operated discs in each travel motor

## SERVICE REFILL CAPACITIES

Fuel tank .....	605 l
Radiator .....	37,0 l
Engine oil .....	35,0 l
Swing drive .....	13,7 l
Hydraulic tank .....	188 l
Final drive (each side) .....	9,0 l

## ENVIRONMENT

Engine emissions .....	Fully complies with EU Stage IIIB and EPA Tier 4 interim exhaust emission regulations
Noise levels	
LwA external .....	105 dB(A) (2000/14/EC Stage II)
LpA operator ear .....	71 dB(A) (ISO 6396 dynamic test)
Vibration levels (EN 12096:1997)*	
Hand/arm .....	≤ 2,5 m/s <sup>2</sup> (uncertainty K = 0,37 m/s <sup>2</sup> )
Body .....	≤ 0,5 m/s <sup>2</sup> (uncertainty K = 0,17 m/s <sup>2</sup> )

\* for the purpose of risk assessment under directive 2002/44/EC, please refer to ISO/TR 25398:2006.

# Lifting Capacity PC360LC-10

## 17 M LONG REACH SPECIFICATION

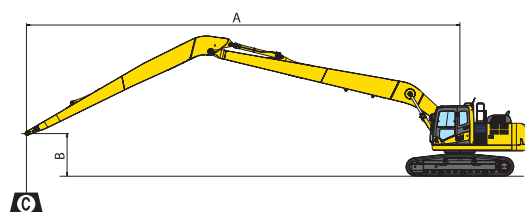
With 700 mm shoes & 450 kg bucket

A		⊗		15,0 m		12,0 m		10,5 m		9,0 m		7,5 m	
B		⌋	⌋	⌋	⌋	⌋	⌋	⌋	⌋	⌋	⌋	⌋	⌋
12,0 m	kg	*1.800	*1.800			*2.220	*2.220						
9,0 m	kg	*1.670	*1.670			*2.760	*2.760						
6,0 m	kg	*1.690	*1.690	*2.410	*2.410	*3.040	*3.040	*3.390	*3.390				
3,0 m	kg	*1.840	*1.840	*2.730	*2.730	*3.450	*3.450	*3.980	*3.980	*4.740	*4.740	*5.910	*5.910
0,0 m	kg	*2.130	*2.130	*2.860	2.830	*3.810	*3.810	*4.510	*4.510	*5.500	*5.500	*6.980	*6.980
- 3,0 m	kg	*2.660	*2.660	*2.730	*2.730	*3.950	*3.950	*4.720	*4.720	*5.750	*5.750	*7.180	*7.180
- 6,0 m	kg	*2.800	*2.800			*3.640	*3.640	*4.420	*4.420	*5.360	*5.360	*6.560	*6.560
- 9,0 m	kg	*2.640	*2.640					*3.190	*3.190	*4.000	*4.000	*4.930	*4.930

## 22 M SUPER LONG FRONT SPECIFICATION

With 700 mm shoes & 575 kg bucket

A		⊗		18,0 m		14,0 m		12,0 m		10,0 m		8,0 m	
B		⌋	⌋	⌋	⌋	⌋	⌋	⌋	⌋	⌋	⌋	⌋	⌋
12,5 m	kg	*550	*550	*730	*730								
9,0 m	kg	*550	*550	*1.360	*1.360								
6,0 m	kg	*550	*550	*1.450	*1.450								
3,0 m	kg	*600	*600	*1.580	1.550	*2.170	*2.170	*2.620	*2.620	*3.290	*3.290		
0,0 m	kg	*700	*700	*1.720	1.350	*2.460	2.430	*3.060	*3.060	*3.950	*3.950	*5.400	*5.400
- 3,0 m	kg	*850	750	*1.800	1.190	*2.680	2.090	*3.360	2.750	*4.370	3.660	*5.930	5.020
- 6,0 m	kg	*1.150	850	*1.780	1.100	*2.750	1.890	*3.470	2.490	*4.470	3.340	*5.950	4.700
- 9,0 m	kg	*1.400	1.100			*2.600	1.840	*3.290	2.430	*4.210	3.290	*5.490	4.720
- 12,0 m	kg	*1.350	*1.350			*2.040	1.970	*2.710	2.560	*3.490	3.470	*4.480	*4.480
- 15,0 m	kg	*1.000	*1.000					*1.280	*1.280	*1.960	*1.960	*2.600	*2.600



- A – Reach from swing center
- B – Bucket hook height
- C – Lifting capacities
- ⌋ – Rating over front
- ⌋ – Rating over side
- ⊗ – Rating at maximum reach

\* Load is limited by hydraulic capacity rather than tipping. Ratings are based on SAE Standard No. J1097.

Rated loads do not exceed 87% of hydraulic lift capacity or 75% of tipping load.

Lifting capacity stated is based on lifting with bare arm. When lifting with additional equipment installed to the arm, please subtract the weight of all additional equipment from the values stated.

### BUCKET CAPACITY TABLE

### PC360LC-10

Equipment	17 m Long Reach		22 m Super Long Front	
General purpose bucket	1.200 mm		955 mm	
Max. bucket width				
Max bucket volume				
Material density up to 1,2 t/m <sup>3</sup>	1,11 m <sup>3</sup>	890 kg	0,63 m <sup>3</sup>	650 kg
Material density up to 1,5 t/m <sup>3</sup>	1,01 m <sup>3</sup>	830 kg	0,53 m <sup>3</sup>	610 kg
Material density up to 1,8 t/m <sup>3</sup>	0,93 m <sup>3</sup>	780 kg	0,47 m <sup>3</sup>	575 kg
Ditch cleaning bucket				
Max. bucket width	2.100 mm		2.100 mm	
Maximum load at end of arm*	2.455 kg		1.300 kg	

\* Maximum load at end of arm (bucket + payload). Max. capacity and weight have been calculated according to ISO 10567:2007. Please consult with your distributor for the correct selection of buckets and attachments to suit the application.

---

---

---

---

---

---

---

---

---

---

---

---

---

---

---

---

---

---

---

---

---

---

---

# Hydraulic Excavator

## Long Reach Specification Super Long Front Specification

### Standard and Optional Equipment

#### ENGINE

Komatsu turbocharged common rail direct injection diesel engine	●
EU Stage IIIB/EPA Tier 4 interim compliant	●
Suction type cooling fan with radiator fly screen	●
Automatic engine warm-up system	●
Engine overheat prevention system	●
Fuel control dial	●
Auto-deceleration function	●
Engine key stop	●
Engine ignition can be password secured on request	●

#### HYDRAULIC SYSTEM

Electronic closed-centre load sensing (E-CLSS) hydraulic system (HydrauMind)	●
Pump and engine mutual control (PEMC) system	●
6-working mode selection system; power mode, economy mode, breaker mode, attachment power and attachment economy mode, and lifting mode	●
Adjustable PPC wrist control levers for arm, boom, bucket and swing, with sliding proportional control for attachments and 3 auxiliary buttons	●
1 additional hydraulic circuit, suitable for working with tilting bucket	●

#### LIGHTING SYSTEM

Working lights: 2 revolving frame, 1 boom (l.h.)	●
Additional working lights: 4 cab roof (front), 1 cab roof (rear), 1 boom (r.h.), 1 counterweight (rear), beacon	○

#### UNDERCARRIAGE

Track roller guards	●
Track frame under-guards	●
600, 700, 800, 900 mm triple grouser shoes	●
700, 800, 850 mm triple grouser shoes (PC360LC-10)	○
Full length track roller guards	○

#### CABIN

Reinforced safety SpaceCab™; highly pressurised and tightly sealed hyper viscous mounted cab with tinted safety glass windows, large roof window with sun shade, pull-up type front window with locking device, removable lower window, front window wiper with intermittent feature, sun roller blind, cigarette lighter, ashtray, luggage shelf, floor mat	●
Heated, high back air suspension seat with lumbar support, console mounted height adjustable arm rests, and retractable seat belt	●
Automatic climate control system	●
12/24 Volt power supplies	●
Beverage holder and magazine rack	●
Hot and cool box	●
Radio	●
Auxiliary input (MP3 jack)	●
Lower wiper	○
Rain visor (not with OPG)	○

#### SERVICE AND MAINTENANCE

Automatic fuel line de-aeration	●
Double element type air cleaner with dust indicator and auto dust evacuator	●
KOMTRAX™ - Komatsu wireless monitoring system	●
Multi-function video compatible colour monitor with Equipment Management and Monitoring System (EMMS) and efficiency guidance	●
Toolkit	●
Komatsu CARE™	●
Automatic greasing system (PC360 LR only)	●
Service points	○

#### DRIVES AND BRAKES

Hydrostatic, 3-speed travel system with automatic shift and planetary gear type final drives, and hydraulic travel and parking brakes	●
PPC control levers and pedals for steering and travel	●

#### SAFETY EQUIPMENT

Rear view camera system	●
Electric horn	●
Audible travel alarm	●
Boom safety valves	●
Large handrails, rear-view mirrors	●
Battery main switch	●
ROPS compliant to ISO 12117-2:2008	●
Emergency engine stop switch	●
OPG Level II front guard (FOPS), hinged type	○
OPG Level II top guard (FOPS)	○
Additional camera, right side mounted	○

#### OTHER EQUIPMENT

Heavy counterweight	●
Remote greasing for swing circle and pins	●
Electric refuelling pump with automatic shut-off function	●
Biodegradable oil for hydraulic system	○
Customised paint	○

#### WORK EQUIPMENT

Super Long Front boom and arm	●
Long Reach boom and arm (PC360LC only)	○
Komatsu buckets	○

Further equipment on request

- standard equipment
- optional equipment

Your Komatsu partner:

# KOMATSU

**Komatsu Europe  
International N.V.**  
Mechelsesteenweg 586  
B-1800 VILVOORDE (BELGIUM)  
Tel. +32-2-255 24 11  
Fax +32-2-252 19 81  
[www.komatsu.eu](http://www.komatsu.eu)

UENSS17900 05/2016

**KOMATSU** is a trademark of Komatsu Ltd. Japan.