



I3C COMPACT IMPACT CRUSHER

The I3C recirculating compact impact crusher is the perfect solution for projects with small footprints but big requirements. Formerly named the I34, these compact, mobile crushers are suited particularly to construction and demolition recycling, asphalt recycling, and aggregates.

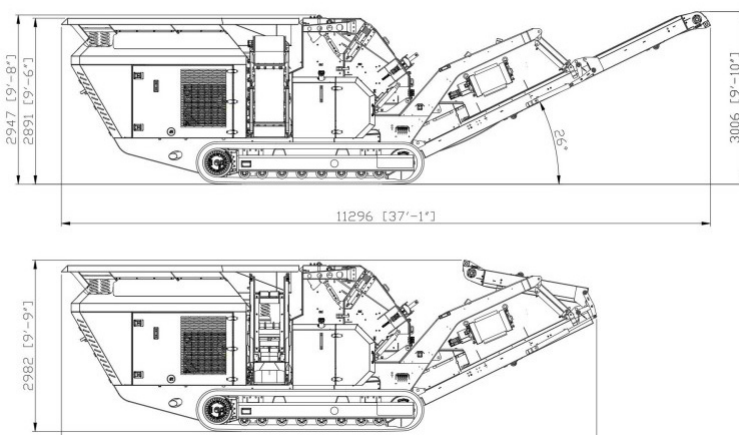
FEATURES

- ✓ Powerful 900mm (35.4") diameter x 820mm (32.3") wide Impactor
- ✓ One piece vibrating grizzly feeder with 3.6 yd³ (2.75m³) volume capacity
- ✓ Aggressive Blow Bar design with large contact area for high capacity crushing
- ✓ Apron adjustment to suit either secondary or primary crushing
- ✓ Integrated hydraulic folding conveyors
- ✓ Direct drive crusher rotor via clutch which boasts maximum power transmission with a low fuel cost



This versatile, mobile crusher is able to nimbly move around in small spaces, and continue moving while crushing. The I3C's small footprint is uniquely suited to the demolition and asphalt recycling, aggregates and smaller scale construction projects. Less than 2.5m wide, the crushers can be transported easily from site to site.

The I3C boasts flexibility as well, as it can continue crushing while moving, it also convert to a recirculating impactor in just a few hours



I3C TECH SPECS

Engine	188kW (252 Hp)
Rotor Diameter	900mm (35.4")
Width	820mm (32.3")
Stockpile Heights	
Main Conveyor	3006mm (9' - 10")
Side Conveyor	2583mm (8' - 6")
Grizzly Feeder	
Width	800mm (31.5")
Length	3750mm (147.6")
Hopper	
Width	2000mm (78.7")
Length	4215mm (166")

TRANSPORT

Transport Height	2.982m (9' 9")
Transport Length	9.315m (30' 7")
Transport Width	2.486m (8' 2")
Weight*	23,500 kg (51,809 lbs)

OPTIONS

4 Full Height Blow Bars | Grizzly Blanking Plate | Feeder Punch Plate | Hoist | Various Blow Bar Material Options | Overband Magnet | Main Conveyor Variable Speed | Work lights | Refueling Pump | Water Pump and Dust Suppression | Hoist

*incl. magnet and dirt conveyor