

Technical sheet :

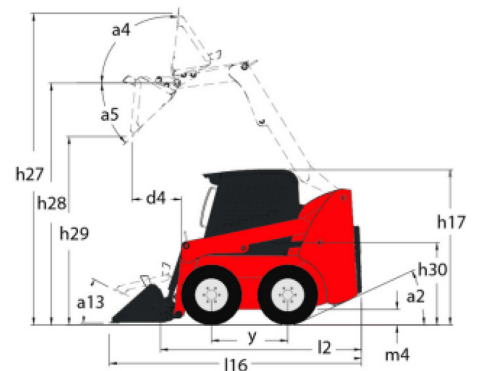
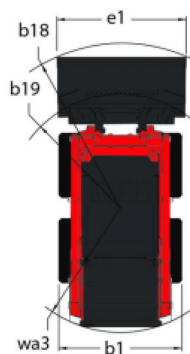
2750V



 **MANITOU**
HANDLING YOUR WORLD

Capacities		Metric	Imperial
Rated Operating Capacity		1247 kg	2749 lb
Operating Capacity At 50% Tipping Load		1247 kg	2749 lb
Rated Operating Capacity with Optional Counterweight		1327 kg	2926 lb
Operating Weight		3774 kg	8320 lb
Unladen weight		3426 kg	7553 lb
Tipping capacity		2495 kg	5501 lb
Weight and dimensions			
Operating Weight - Approximate		3774 kg	8320 lb
Overall Operating Height - Fully Raised	h27	4252 mm	167 in
Height to Hinge Pin - Fully Raised	h28	3277 mm	129 in
Overall Height to Top of ROPS	h17	2058 mm	81 in
Dump angle at full height	a5	42 °	42 °
Dump height	h29	2489 mm	98 in
Overall length with bucket	l16	3810 mm	150 in
Dump reach - Full height	r6	830 mm	33 in
Rollback Angle at Full Height	a4	92 °	92 °
Seat to ground height	h30	978 mm	39 in
Overall width less bucket	b1	1712 mm	67 in
Ground clearance	m4	216 mm	9 in
Overall length - Less Bucket	l2	3023 mm	119 in
Clearance Radius - Front with Bucket	b18	2289 mm	90 in
Clearance Circle - Front without Bucket	b19	1410 mm	56 in
Clearance Circle - Rear	wa1	1829 mm	72 in
Performances			
Travel Speed with Two-Speed Option - Maximum		17.50 km/h	11 mi/h
Travel speed (unladen)		11.40 km/h	7 mi/h
Wheels			
Transmission type		Hydrostatic	Hydrostatic
Engine			
Engine brand		Yanmar	Yanmar
Engine model		4TNV98CT-XNGL	4TNV98CT-XNGL
Engine norm		Stage V	Stage V
Gross Power (kW)		53.70 kW	54 kW
Net Power (kW)		52.70 kW	53 kW
Max. torque / Engine rotation		294 Nm / 1800 rpm	217 ft/lbs / 1800 rpm
Number of cylinders		4	4
Engine cooling system		Water	Water
Battery		12 V	12 V
Alternator - Ampere		100 A	100 A
Starter (kW)		3 kW	3 kW
Hydraulics			
Standard flow - Auxiliary hydraulics		98.40 l/min	26 US gpm
Auxiliary Hydraulic Pressure		239.59 bar	3475 PSI
High-Flow Auxiliary Hydraulics - Option		126 l/min	33 US gpm
High-Flow Auxiliary Hydraulics Pressure - Option		229.25 bar	3325 PSI
Tank capacities			
Fuel tank		106 l	28 US gal
Reservoir Capacity Hydraulics		22.70 l	6 US gal
Displacement		3.30 l	0.87 US gal
Coolant system capacity		18 l	5 US gal

2750V - Dimensional drawing





Head Office

B.P. 249 - 430 rue de l'Aubinière

44150 Ancenis Cedex - France

Tel: +33 (0)2 40 09 10 11 - Fax: +33 (0)2 40 09 10 97

www.manitou.com



This publication provides a description of the configuration versions and options for Manitou products, which may differ for equipment. The equipment presented in this brochure may be part of a series, as an option, or it may not be available, depending on the versions. Manitou reserves the right, at any time and without notice, to amend the specifications described and represented. The specifications provided do not bind the manufacturer. For more details, please contact your Manitou agent. This is not a contractually binding document. The presentation of the products is not contractually binding. List of specifications non-exhaustive. The logos as well as the visual identity of the company are owned by Manitou and cannot be used without authorisation. All rights reserved. The photos and diagrams contained in this brochure are only provided for consultation and information purposes.

MANITOU BF SA - Limited company with board of directors - Share capital: 39,668,399 euros - 857 802 508 RCS Nantes