

Technical sheet :

# 2100V

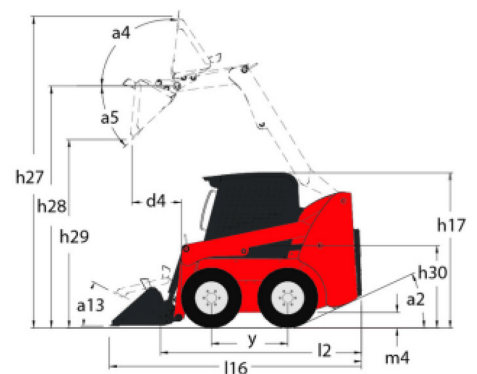
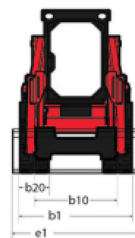
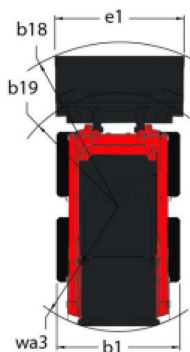
---



 **MANITOU**  
HANDLING YOUR WORLD

Capacities		Metric	Imperial
Rated Operating Capacity		952 kg	2099 lb
Operating Capacity At 50% Tipping Load		952 kg	2099 lb
Rated Operating Capacity with Optional Counterweight		1021 kg	2251 lb
Operating Weight		3393 kg	7480 lb
Unladen weight		3045 kg	6713 lb
Tipping capacity		1905 kg	4200 lb
Weight and dimensions			
Operating Weight - Approximate		3393 kg	7480 lb
Overall Operating Height - Fully Raised	h27	4013 mm	158 in
Height to Hinge Pin - Fully Raised	h28	3061 mm	121 in
Overall Height to Top of ROPS	h17	2032 mm	80 in
Dump angle at full height	a5	42 °	42 °
Dump height	h29	2286 mm	90 in
Overall length with bucket	l16	3543 mm	139 in
Dump reach - Full height	r6	851 mm	34 in
Rollback Angle at Full Height	a4	92 °	92 °
Seat to ground height	h30	952.50 mm	37 in
Overall width less bucket	b1	1704 mm	67 in
Ground clearance	m4	178 mm	584 ft
Overall length - Less Bucket	l2	2743 mm	108 in
Clearance Radius - Front with Bucket	b18	2146 mm	84 in
Clearance Circle - Rear	wa1	1664 mm	66 in
Performances			
Travel Speed with Two-Speed Option - Maximum		18.70 km/h	12 mi/h
Travel speed (unladen)		12.10 km/h	8 mi/h
Wheels			
Transmission type		Hydrostatic	Hydrostatic
Engine			
Engine brand		Yanmar	Yanmar
Engine model		4TNV98C-NGL	4TNV98C-NGL
Engine nom		Stage V	Stage V
Gross Power (kW)		51.70 kW	52 kW
Net Power (kW)		51 kW	51 kW
Max. torque / Engine rotation		241 Nm / 1625 rpm	178 ft/lbs / 1625 rpm
Number of cylinders		4	4
I.C. Engine power rating		69.30 Hp	69.30 Hp
Engine cooling system		Water	Water
Battery		12 V	12 V
Alternator - Ampere		100 A	100 A
Starter (kW)		3 kW	3 kW
Hydraulics			
Standard flow - Auxiliary hydraulics		86.50 l/min	23 US gpm
Auxiliary Hydraulic Pressure		239 bar	3466 PSI
High-Flow Auxiliary Hydraulics - Option		114 l/min	30 US gpm
High-Flow Auxiliary Hydraulics Pressure - Option		200 bar	2901 PSI
Tank capacities			
Fuel tank		106 l	28 US gal
Displacement		3.30 l	0.87 US gal

### 2100V - Dimensional drawing





**Head Office**

B.P. 249 - 430 rue de l'Aubinière

44150 Ancenis Cedex - France

Tel: +33 (0)2 40 09 10 11 - Fax: +33 (0)2 40 09 10 97

[www.manitou.com](http://www.manitou.com)



This publication provides a description of the configuration versions and options for Manitou products, which may differ for equipment. The equipment presented in this brochure may be part of a series, as an option, or it may not be available, depending on the versions. Manitou reserves the right, at any time and without notice, to amend the specifications described and represented. The specifications provided do not bind the manufacturer. For more details, please contact your Manitou agent. This is not a contractually binding document. The presentation of the products is not contractually binding. List of specifications non-exhaustive. The logos as well as the visual identity of the company are owned by Manitou and cannot be used without authorisation. All rights reserved. The photos and diagrams contained in this brochure are only provided for consultation and information purposes.

MANITOU BF SA - Limited company with board of directors - Share capital: 39,668,399 euros - 857 802 508 RCS Nantes