
TECHNICAL DATA SHEET

M 70-2H

Rough-terrain IC forklifts



7000 kg

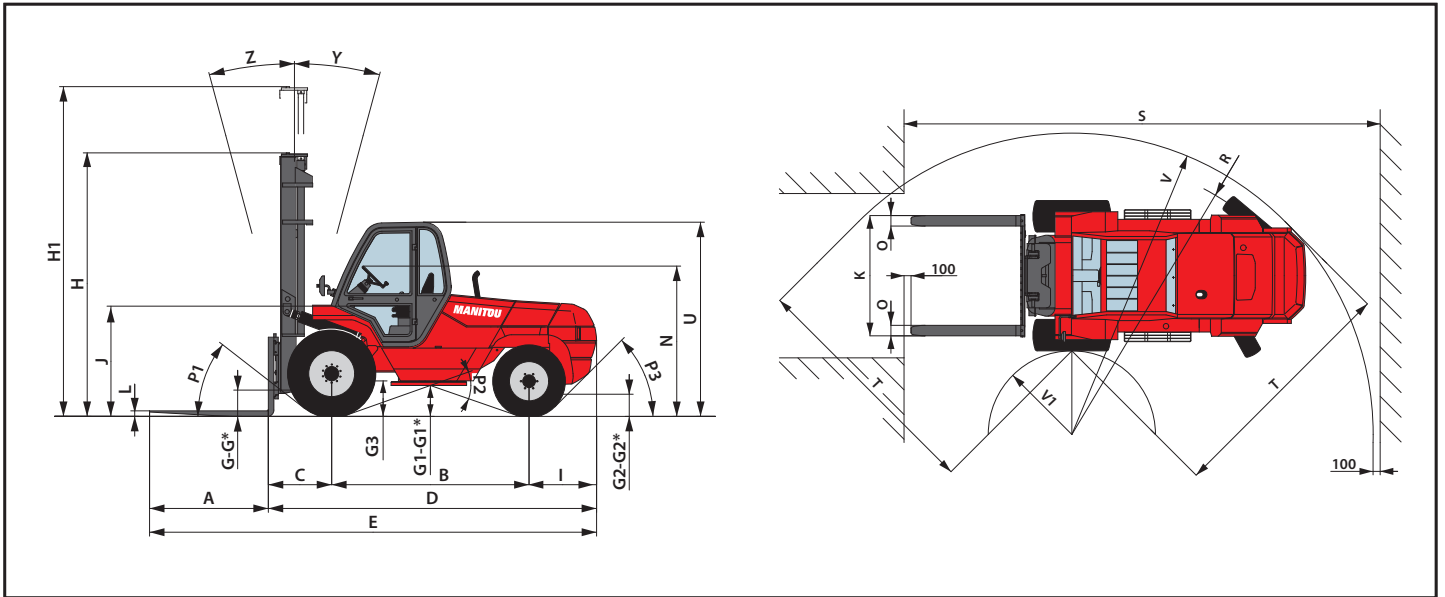
TECHNICAL SPECS

Specifications	1.1	Manufacturer			MANITOU
	1.2	Model			M 70-2H
	1.3	Power source			Diesel
	1.4	Driving position			Seated
	1.5	Nominal capacity	Q	kg	7000
	1.6	Load - centre of gravity	c	mm	600
	1.8	Distance from the load-bearing surface to centre of front axle	x	mm	803
	1.9	Wheelbase	y	mm	2493
	Weight	2.1	Operating weight		kg
2.2		Axle load, with load, front / rear		kg	14954 / 1926
2.3		Axle load, without load, front / rear		kg	4040 / 5840
Tyres, frame	3.1	Tyre equipment: cushion (V), superelastic (SE), pneumatic (L)			L
	3.2	Size of front wheels			18R19.5 8T N20XF
	3.3	Size of rear wheels			265/70R19.5 6T P30 HT3
	3.5	Number of front wheels (x = drive wheel) / rear wheels			2 / 2
	3.6	Front wheel gauge (middle of wheels)	b10	mm	1700
	3.7	Rear wheel gauge (middle of wheels)	b11	mm	1545
	Dimensions	4.1	Tilt of mast forwards / backwards (1)	α / β	deg
4.2		Height mast lowered	h1	mm	3360
4.3		Free lift	h2	mm	0
4.4		Lift height	h3	mm	4000
4.5		Height mast extended	h4	mm	5370
4.7		Height of overhead guard (cabin)	h6	mm	2475
4.8		Height of seat	h7	mm	1485
4.12		Height of towing bar	h10	mm	690
4.19		Overall length	l1	mm	5585
4.20		Length at fork heels	l2	mm	4210
4.21		Total width (overall)	b1	mm	2155
4.22		Fork dimensions	s / e / l	mm	70 / 150 / 1500
4.23		Fork carriage to DIN 15173 A/B			FEM4A
4.24		Width of fork carriage	b3	mm	1750
4.31		Ground clearance below mast	m1	mm	300
4.32		Ground clearance at centre of wheel-base	m2	mm	410
4.33		Width of aisle for pallet 1000 x 1200 crossways	Ast	mm	6703
4.34		Width of aisle for pallet 800 x 1200 lengthways	Ast	mm	6703
4.35		Turning radius	Wa	mm	4200
4.36		Inner turning radius	b13	mm	1000
Performances	5.1	Speed of travel laden / unladen		km/h	11 / 23
	5.2	Speed of raise laden / unladen		m/s	0,32
	5.3	Speed of lowering laden / unladen		m/s	0,4 / 0,34
	5.5	Nominal towing power laden / unladen		daN	8060
	5.7	Gradeability with / without load		%	45 / 27
	5.10	Service brake			Hydraulic
Motors	7.1	Manufacturer / Type of engine			DEUTZ TD 3,6
	7.2	Power delivery		kW	55,4
	7.3	Régime nominal		tr/min	2500
	7.4	Number of pistons / Cubic capacity		cm ³	4/-
Miscellan.	8.1	Power control			Electric
	8.2	Operating pressure for attachments		bar	230
	8.3	Oil flow for attachments		l/min	80
	8.4	Average noise level for the driver (in motion) measured / guaranteed		db (A)	78

1- Values with duplex mast

Data is based on standard configurations (forks, mast).
Performance data and dimensions are nominal and subject to tolerances.
Manitou products and their specifications are subject to change without notice.

DIMENSIONAL DRAWINGS



MASTS AND RESIDUAL CAPACITIES

M 70-2H			Total Visibility Duplex		
			DVT36	DVT40	DVT45
h3	Lift height	mm	3600	4000	4500
h1	Height mast lowered	mm	3160	3360	3610
h2	Free lift	mm	0	0	0
h4	Height mast extended*	mm	4965	5370	5865
	Residual capacity w/o attachment	kg	7000	7000	5000
	Residual capacity with integrated sideshift	kg	6200	6200	3850
	Tilt of mast forwards / backwards	deg	15 / 15	15 / 15	15 / 15

* Without backrest

Your nearest MANITOU dealer :



Head office

B.P. 249 - 430 rue de l'Aubinière - 44158 Ancenis Cedex - France

Tel: 00 33 (0)2 40 09 10 11 - Fax: 00 33 (0)2 40 09 10 97

www.manitou.com



This brochure describes versions and configuration options for Manitou products which may be fitted with different equipment. The equipment described in this brochure may be standard, optional or not available depending on version. Manitou reserves the right to change the specifications shown and described at any time and without prior warning. The manufacturer is not liable for the specifications given. For more information, contact your Manitou dealer. Non-contractual document. Product descriptions may differ from actual products. List of specifications is not comprehensive. The logos and visual identity of the company are the property of Manitou and may not be used without authorisation. All rights reserved. The photos and diagrams contained in this brochure are provided for information only.
MANITOU BF SA - Limited company with board of directors - Share capital: 39,547,824 euros - 857 802 508 RCS Nantes